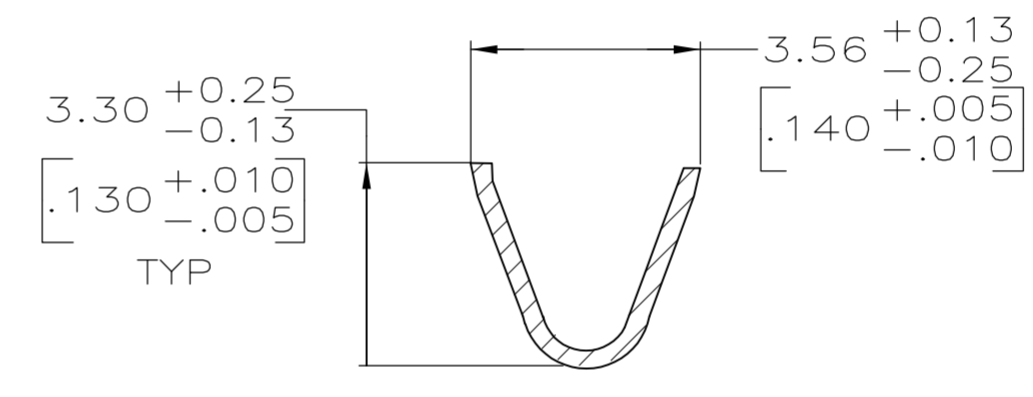
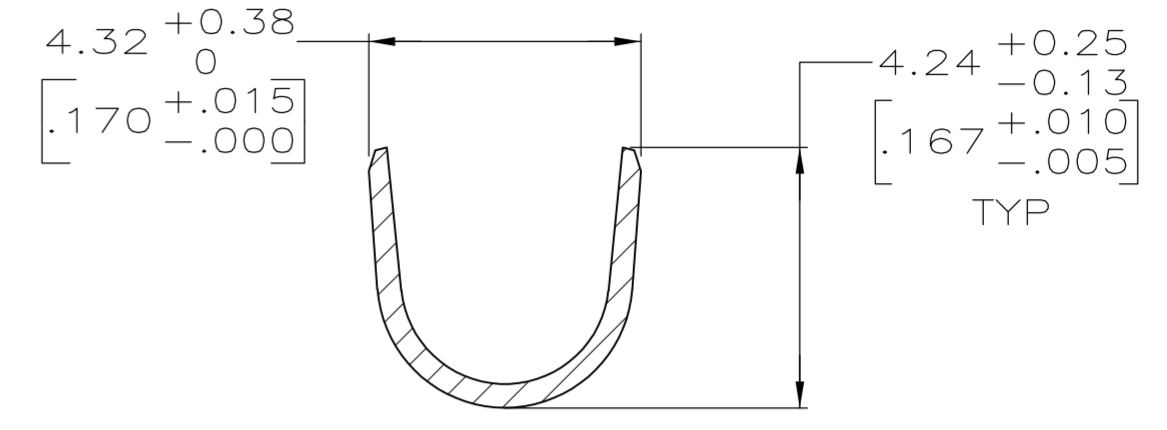
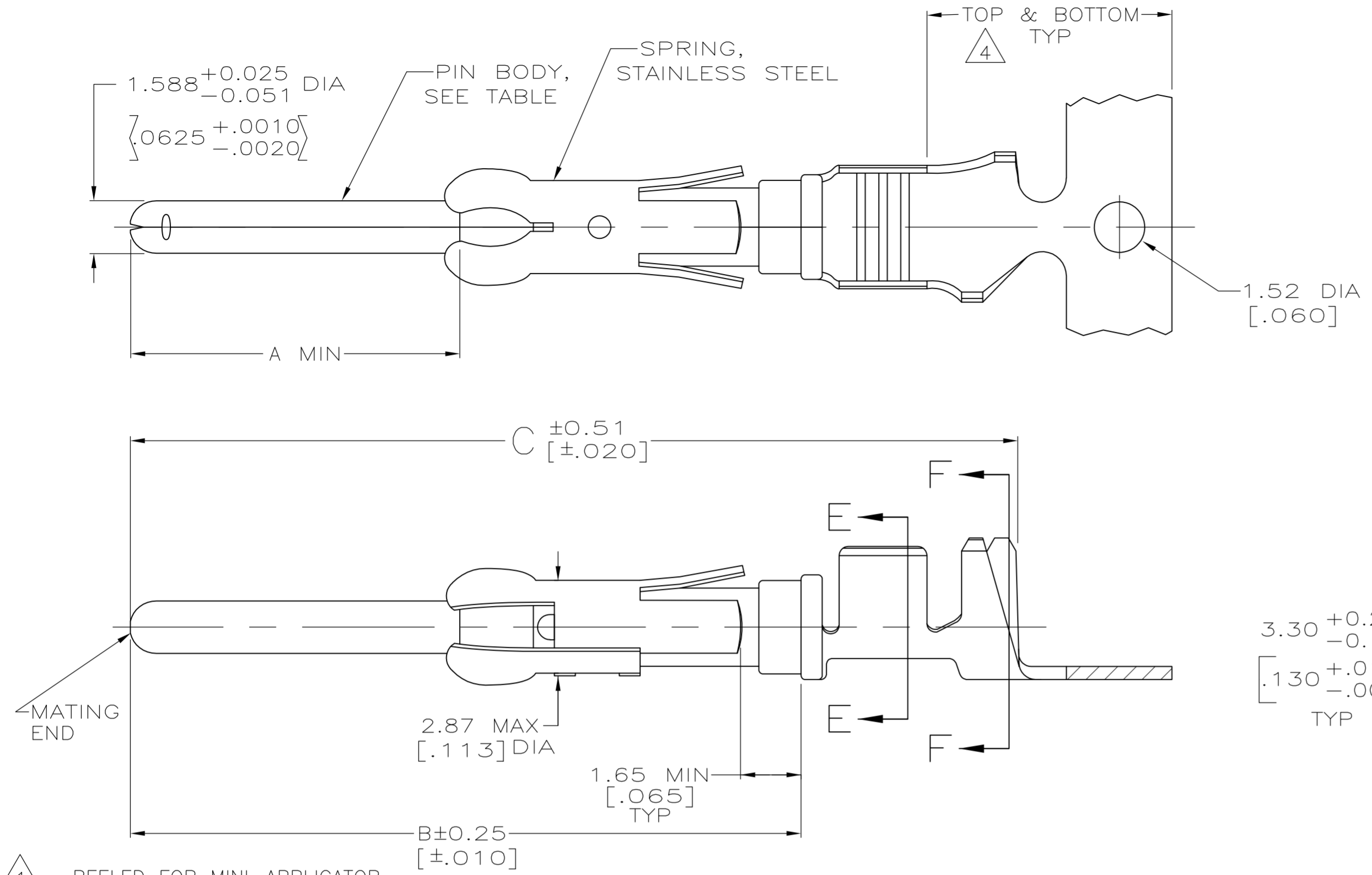


THIS DRAWING IS UNPUBLISHED. RELEASED FOR PUBLICATION  
 © COPYRIGHT BY TYCO ELECTRONICS CORPORATION. ALL INTERNATIONAL RIGHTS RESERVED.

LOC	DIST	REVISIONS					
FT	0	P	LTR	DESCRIPTION	DATE	DWN	APVD
		U1		REVISED PER ECO-08-017797	22JUL08	HMR	GS



- 1 REELED FOR MINI-APPLICATOR.
- 2 0.76µm [.000030] MIN GOLD PER MIL-G-45204 ON MATING END FOR A LENGTH OF 5.08 [.200] MIN WITH GOLD FLASH ON THE REMAINDER, OVER 1.27µm [.000050] MIN NICKEL PER QQ-N-290.
- 3 1.27µm [.000050] MIN TIN-LEAD PER MIL-T-10727 OVER 1.27µm [.000050] MIN NICKEL PER QQ-N-290.
- 4 GOLD PLATING NEED NOT APPEAR IN THIS AREA.
- 5 BRASS
- 6 PHOSPHOR BRONZE
- 7 WIRE RANGE 14-18 AWG.
- 8 INSULATION RANGE 2.79[.110]-3.81[.150] DIA.
- 9 0.38µm [.000015] MIN GOLD PER MIL-G-45204 ON MATING END FOR A LENGTH OF 5.08 [.200] MIN, 1.27 µm [.000050] MIN TIN-LEAD PER MIL-T-10727 FOR A LENGTH OF 5.69 [.224] MIN ON OPPOSITE END, BOTH OVER 1.27µm [.000050] MIN NICKEL PER QQ-N-290 ON ENTIRE CONTACT.
- 10 OBSOLETE PART NUMBER.
- 11 1.27µm [.000050] MIN TIN PER MIL-T-10727 OVER 1.27µm [.000050] MIN NICKEL PER Q-N-290.
- 12 COPPER NICKEL ALLOY.
- 13 0.38µm [.000015] MIN GOLD PER MIL-G-45204 ON MATING END FOR A LENGTH OF 5.08 [.200] MIN. WITH GOLD FLASH ON THE REMAINDER, OVER 1.27µm [.000050] MIN NICKEL PER QQ-N-290.
- 14 PRELIMINARY - NOT FOR PRODUCTION.

26.75[1.053]	20.24[.797]	9.91[.390]	1	13	12	-	14	1-66597-2
26.75[1.053]	20.24[.797]	9.91[.390]	1	11	12	1-66602-0		1-66597-1
26.75[1.053]	20.24[.797]	9.91[.390]	1	2	12	66602-9		1-66597-0
26.75[1.053]	20.24[.797]	9.91[.390]	1	11	6	-		66597-9
26.75[1.053]	20.24[.797]	9.91[.390]	1	11	5	66602-8		66597-8
26.75[1.053]	20.24[.797]	9.91[.390]	1	9	5	66602-5		66597-7
30.43[1.198]	23.93[.942]	13.59[.535]	1	3	5	-		66597-6
26.75[1.053]	20.24[.797]	9.91[.390]	1	2	6	66602-4		66597-5
26.75[1.053]	20.24[.797]	9.91[.390]	1	3	6	66602-3		66597-4
26.75[1.053]	20.24[.797]	9.91[.390]	1	2	5	66602-2		66597-2
26.75[1.053]	20.24[.797]	9.91[.390]	1	3	5	66602-1		66597-1
C	B	A	REELING	PIN BODY FINISH	PIN BODY	LOOSE PIECE REF	PART NO	

THIS DRAWING IS A CONTROLLED DOCUMENT.

DWN	R. SHIREY	7-22-91
CHK	R. STONE	8-15-91
APVD	J. WESTMAN	8-19-91

NAME: Tyco Electronics Corporation, Harrisburg, PA 17105-3608

PRODUCT SPEC: PIN ASSEMBLY, .062, TYPE III+

SIZE	CAGE CODE	DRAWING NO	RESTRICTED TO
A2	00779	C=66597	-

SCALE: 8:1 SHEET: 1 of 1 REV: U1